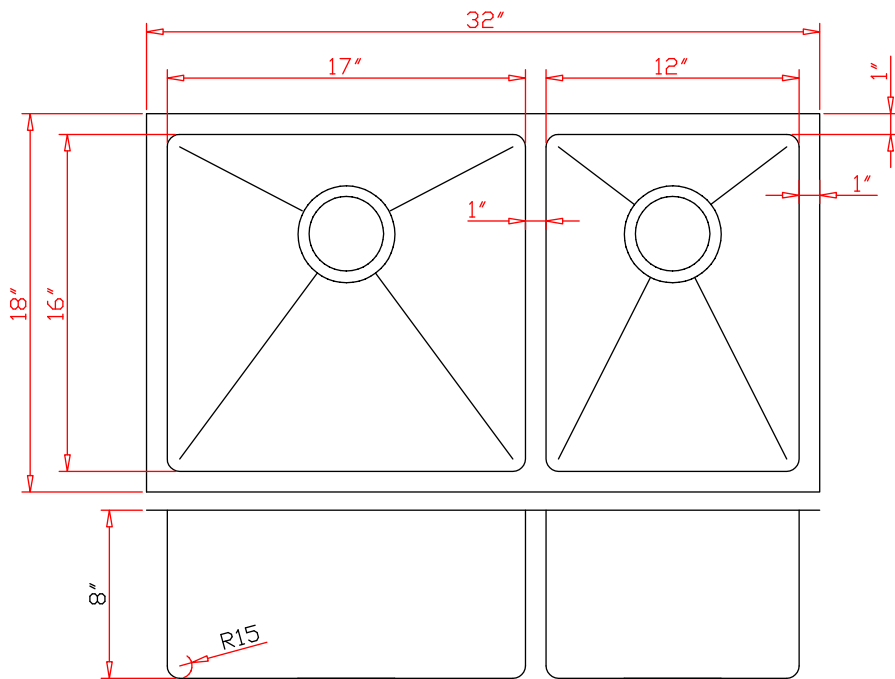
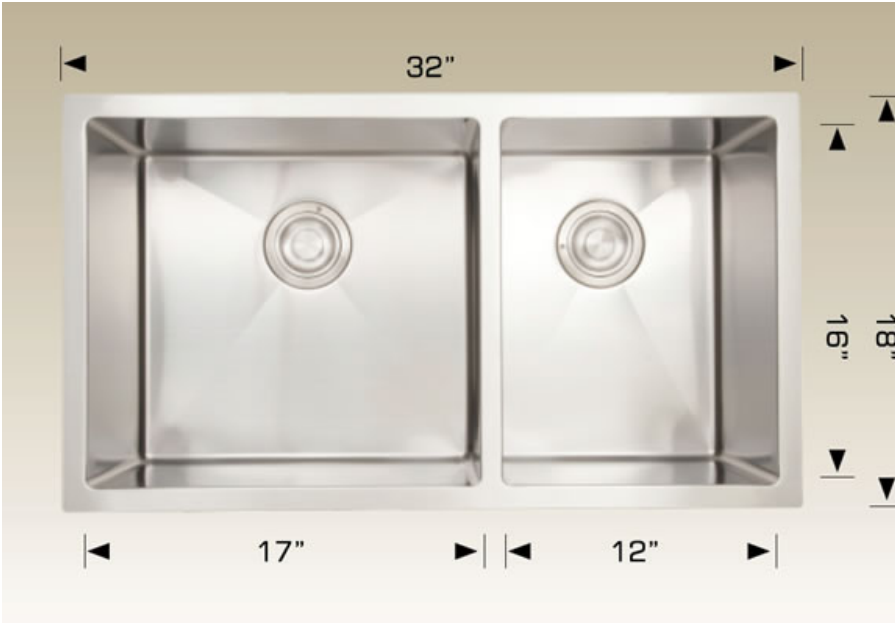


## Standard Series - Model: 208010 Plus

### Radius Corner

Rear positioned drain holes to maximize usable bowl and cabinet storage space below



### Specifications:

- Handcrafted
- 304 Stainless Steel
- 16 Gauge
- Bowl Corner Radius of 15mm
- Undermount Clips
- Template
- Stainless Steel Strainer
- 8" Deep

Outside: 32" x 18" x 8"  
Inside: 30" x 16" x 8"  
Bowl Size: 17" x 16" x 8"  
12" x 16" x 8"

Minimum Cabinet Size 35"

### Certification/Warranty

- ASME A 112.19.3
- CSA B45.4
- Limited Lifetime Warranty

### Included Accessories



Grids **Model: G208010 B**  
**Model: G208010 S**



3 1/2"  
Strainer  
**Model: 202012**



Plate Holder  
**Model: 202041**

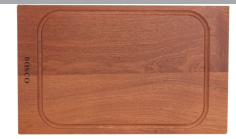


Colander  
**Model: 202040**

### Optional Accessories



Utensil Rack  
**Model: 202015**



Cutting Board  
**Model: 202020**

*Bosco Canada Inc. is known around the world for producing high quality kitchen sinks that incorporate modern design and functional superiority in every piece they manufacture.*