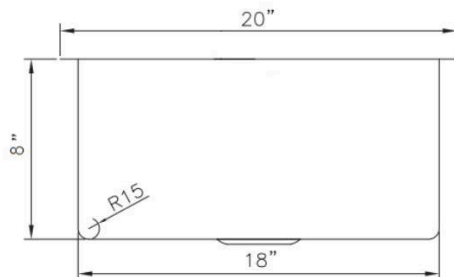
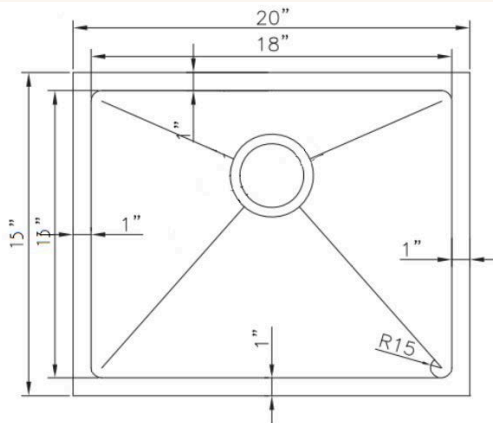
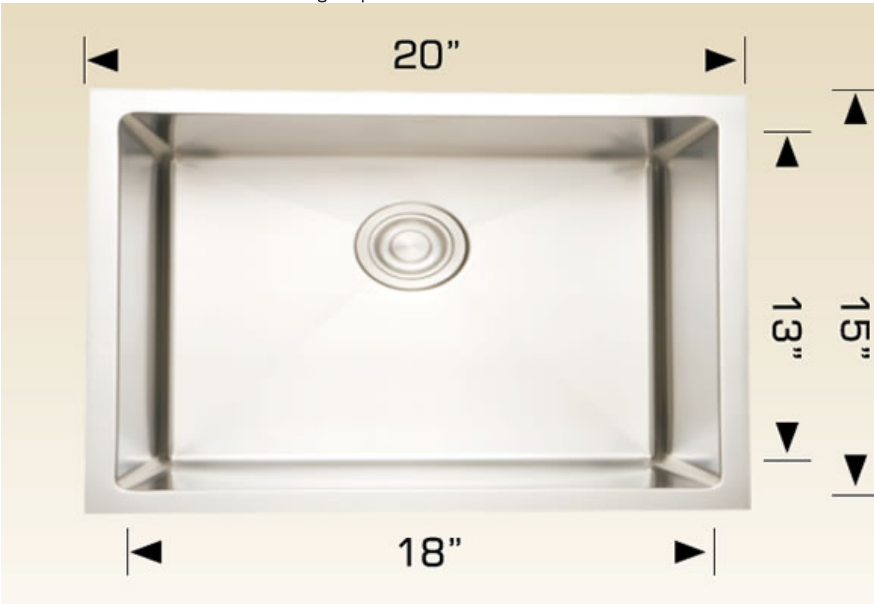


Titanium Series - Model: 208009

Radius Corner

Rear positioned drain holes to maximize usable bowl and cabinet storage space below



Specifications:

- Handcrafted
- 304 Stainless Steel 16 Gauge
- 18/10 Chrome Nickel Content
- Bowl Corner Radius of 15 mm
- Brushed Finish
- Undermount Clips
- Template
- Stainless Steel Strainer
- 8" Deep

Outside: 20" x 15" x 8"

Inside: 18" x 13" x 8"

Minimum cabinet size 23"

Certification/Warranty

- ASME A 112.19.3
- CSA B45.4
- Limited Lifetime Warranty

Optional Accessories



Model: 202014
Basket



Model: 202015
Utensil Rack



Model: 202018
Plate Rack

Bosco Canada Inc. is known around the world for producing high quality kitchen sinks that incorporate modern design and functional superiority in every piece they manufacture.