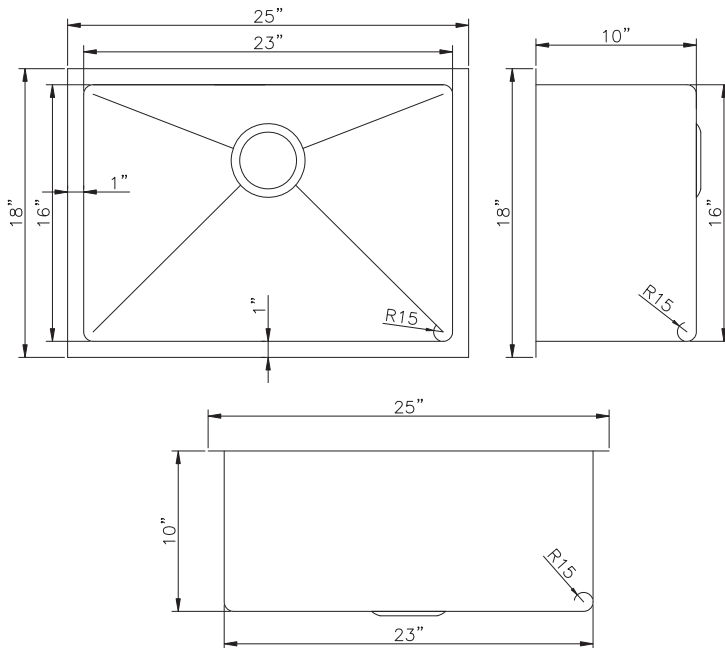
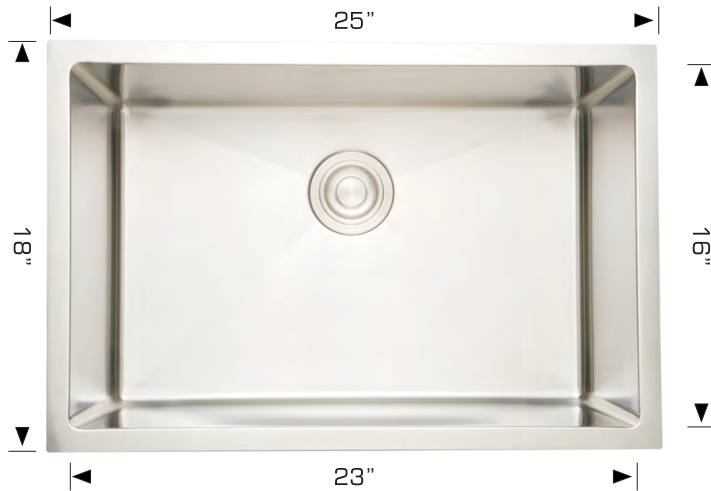


## Commercial Series - Model: 202219C

### Radius Corner

Rear positioned drain holes to maximize usable bowl and cabinet storage space below



### Specifications:

- Handcrafted
- 304 stainless steel 18 gauge
- 18/10 chrome nickel content
- Bowl corner radius of 15mm
- Undermount clips
- Template
- Stainless steel strainer
- 10" Deep

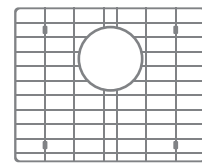
Outside: 25" x 18" x 10"  
Inside: 23" x 16" x 10"

Minimum cabinet size 28"

### Certification/Warranty

- ASME A 112.19.3
- CSA B45.4
- Limited Lifetime Warranty

### Optional Accessories



Model: G202219

*Bosco Canada Inc. is known around the world for producing high quality kitchen sinks that incorporate modern design and functional superiority in every piece they manufacture.*