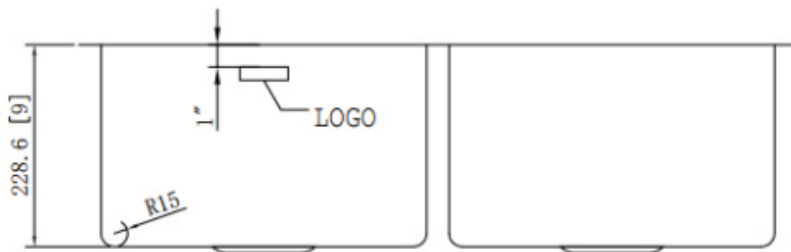
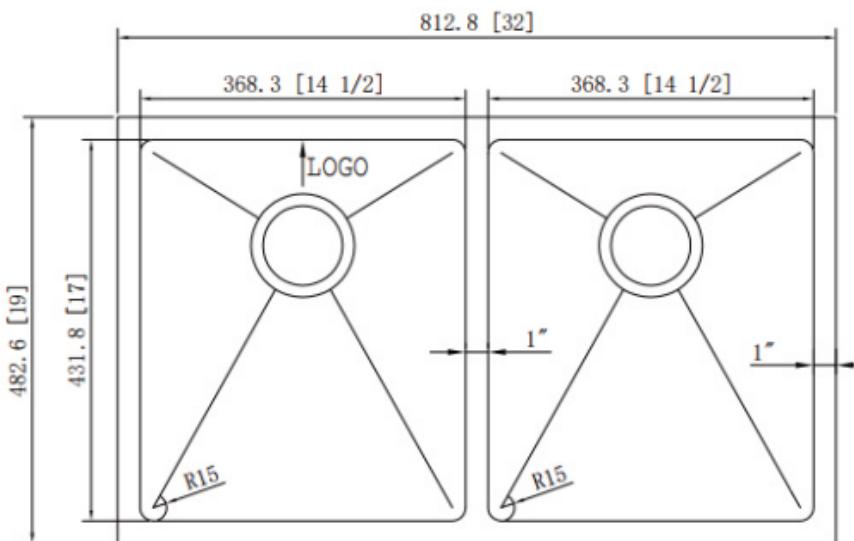


Stainless Steel Sinks & Accessories

## Standard Series - Model:208035

**Undermount** Rear positioned drain holes to maximize usable bowl and cabinet storage space below



### Specifications:

- Handcrafted
- 304 Stainless Steel
- 16 Gauge
- Bowl Corner Radius of 15mm
- Stainless Steel Strainers
- Undermount Clips
- Template
- 9" Deep

Outside: 32" x 19" x 9"  
 Inside: 30" x 17" x 9"  
 Bowl Size: 14.5" x 17" x 9"  
 14.5" x 17" x 9"

Minimum cabinet size 35"

### Certification/Warranty

- ASME A 112.19.3
- CSA B45.4
- Limited Lifetime Warranty

### Included Accessories

#### 208035 Plus



Strainer  
**Model: 202012**



Grid  
**Model: G208035**



Plate Holder  
**Model: 202041**



Basket  
**Model: 202040**

### Optional Accessories



Utensil Rack  
**Model: 202015**



Cutting Board  
**Model: 202009**

*Bosco Canada Inc. is known around the world for producing high quality kitchen sinks that incorporate modern design and functional superiority in every piece they manufacture.*