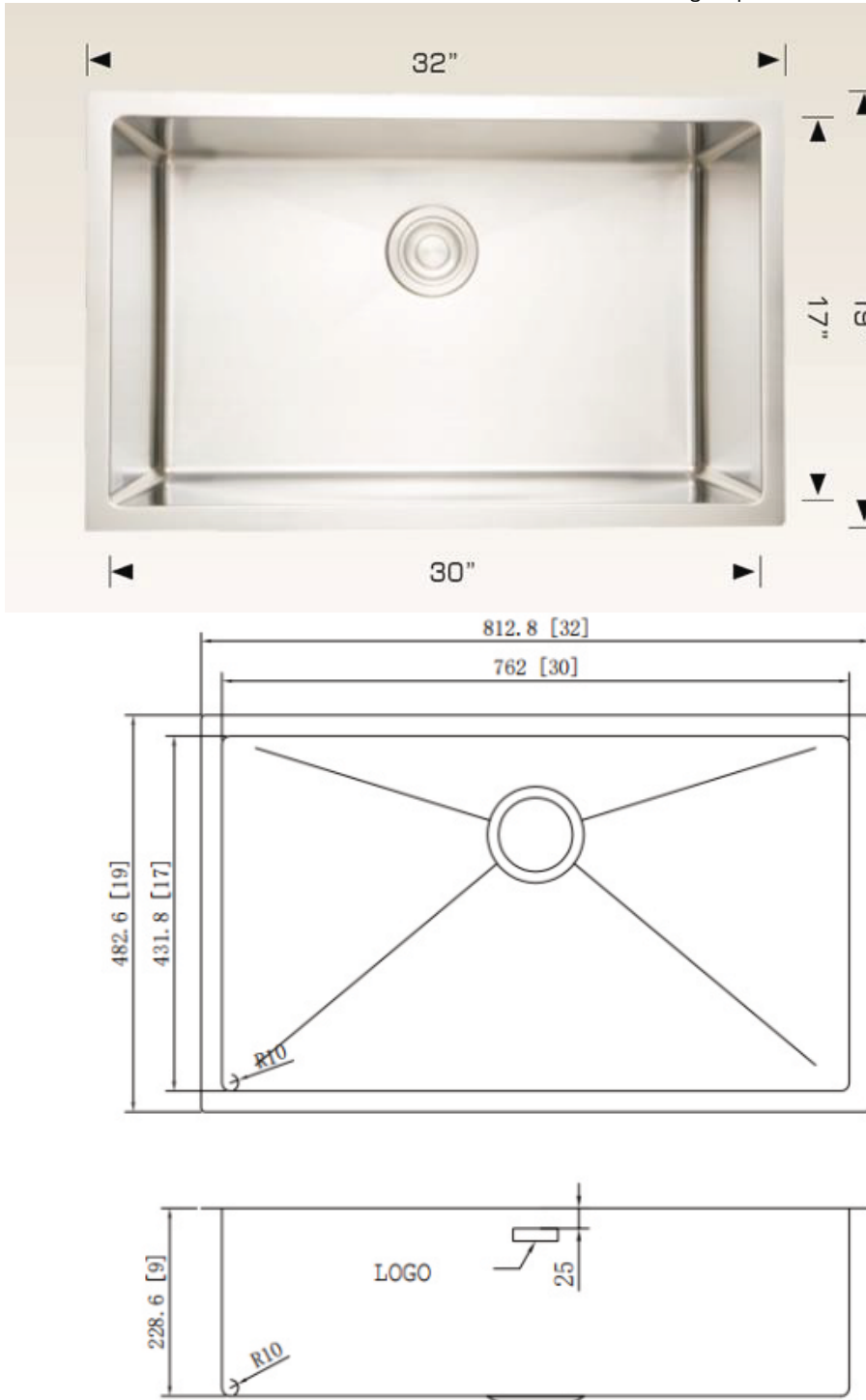


Stainless Steel Sinks & Accessories

# Standard Series - Model:208034

## Undermount

Rear positioned drain holes to maximize usable bowl and cabinet storage space below



## Specifications:

- Handcrafted
- 304 Stainless Steel
- 16 Gauge
- Bowl Corner Radius of 10mm
- Strainer
- Undermount Clips
- Template
- 9" Deep

Outside: 32" x 19" x 9"

Inside: 30" x 17" x 9"

Minimum cabinet size 35"

## Certification/Warranty

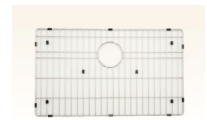
- ASME A 112.19.3
- CSA B45.4
- Limited Lifetime Warranty

## Included Accessories

### 208034 Plus



Strainer  
Model: 202012



Grid  
Model: G208034



Plate Holder  
Model: 202041



Basket  
Model: 202040

## Optional Accessories



Utensil Rack  
Model: 202015



Cutting Board  
Model: 202009

*Bosco Canada Inc. is known around the world for producing high quality kitchen sinks that incorporate modern design and functional superiority in every piece they manufacture.*