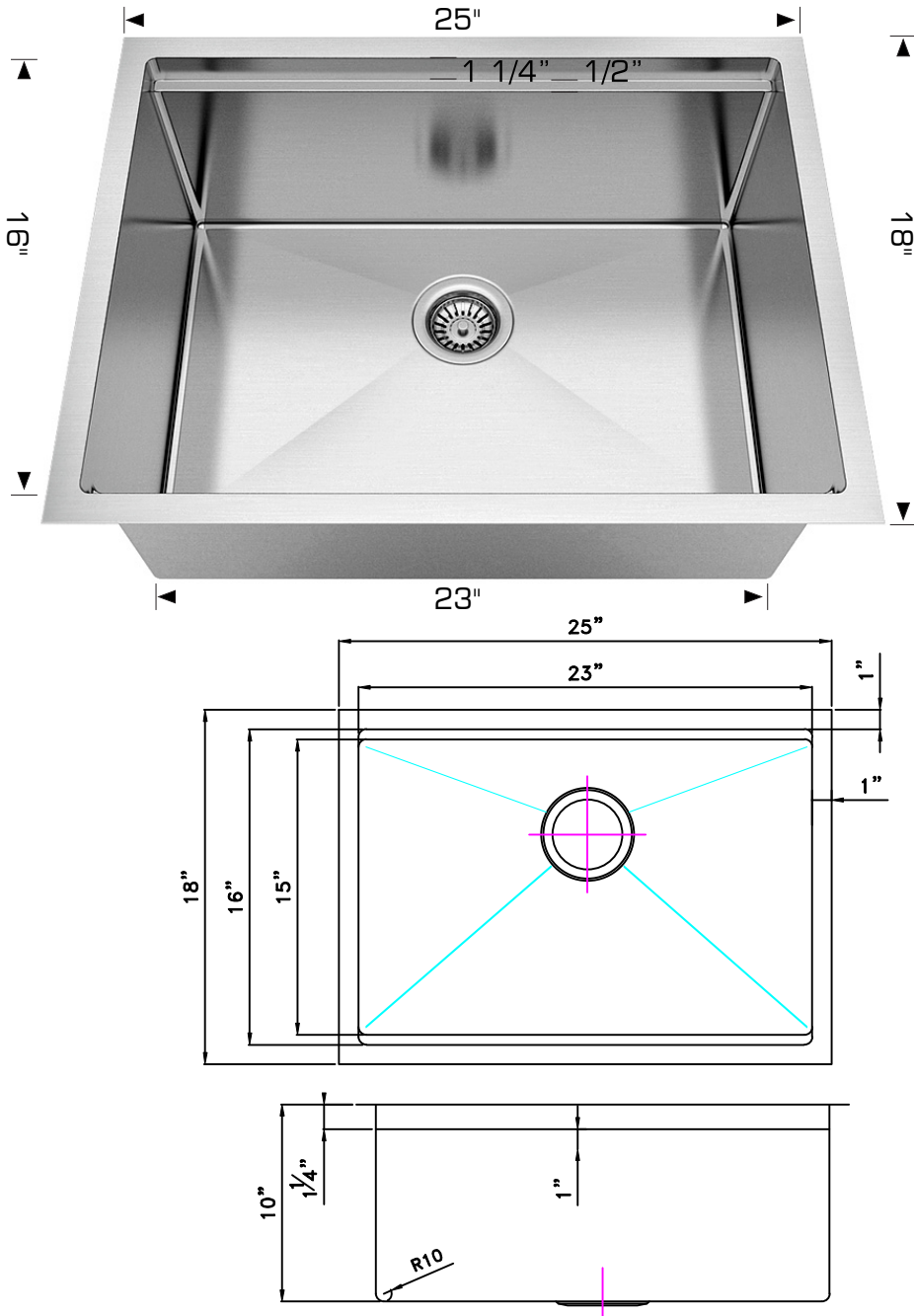


Titanium Series Plus - Model: 201825

Radius Corner Multi-level



Specifications:

- Handcrafted
- 316 Stainless Steel 16 Gauge
- 18/10 Chrome Nickel Content
- Bowl Corner Radius of 10 mm
- Brushed Finish
- Clips & Template
- Stainless Steel Strainer
- Top To Lip 1 1/4" Lower
- Lip 1/2"
- 10" Deep

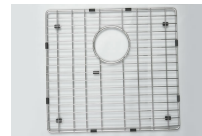
Outside: 25" x 18" x 10"
 Inside: 23" x 16" x 10"

Minimum cabinet size 28"

Certification/Warranty

- ASME A 112.19.3
- CSA B45.4
- Limited Lifetime Warranty

Included Accessories



Model: G201825
Grid



Model: 202010
Strainer



Model: 202039
Roll Up Dish Drying Rack



Model: 202038
Plate Holder

Bosco Canada Inc. is known around the world for producing high quality kitchen sinks that incorporate modern design and functional superiority in every piece they manufacture.