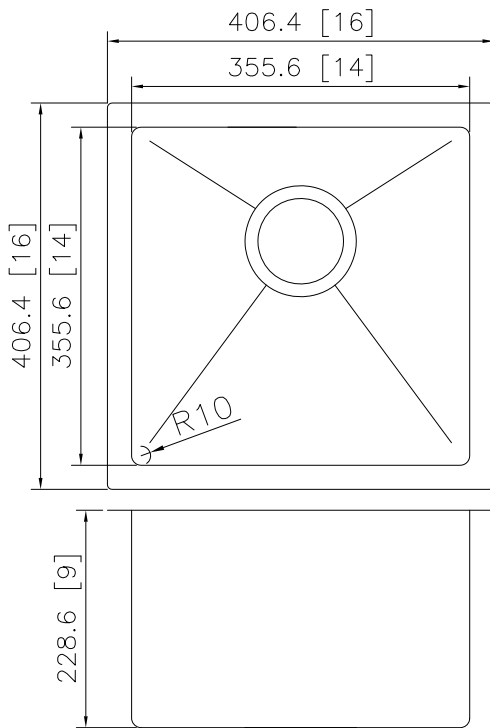
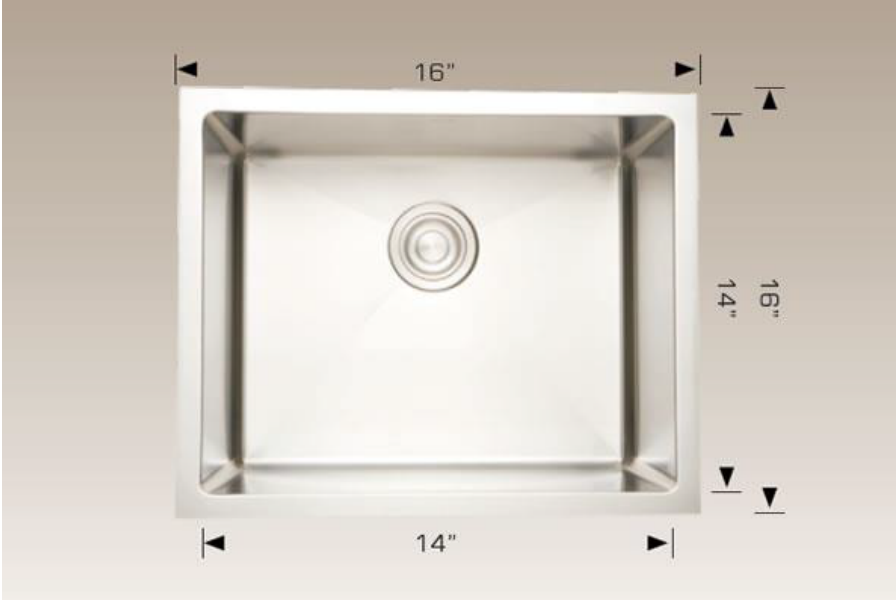


## Deluxe Series - Model: 201716

### Radius Corner

Rear positioned drain holes to maximize usable bowl and cabinet storage space below



### Specifications:

- Handcrafted
- 304 Stainless Steel 18 Gauge
- 18/10 Chrome Nickel Content
- Bowl Corner Radius of 10 mm
- Undermount Clips
- Template
- Stainless Steel Strainer
- 9" Deep

Outside: 16" x 16" x 9"  
Inside: 14" x 14" x 9"

Minimum cabinet size 18"

### Certification/Warranty

- ASME A 112.19.3
- CSA B45.4
- Limited Lifetime Warranty

### Optional Accessories



**Model: G201716**  
Grid



**Model: 202013**  
Plate Holder



**Model: 202015**  
Utensil Rack



**Model: 202018**  
Plate Rack

*Bosco Canada Inc. is known around the world for producing high quality kitchen sinks that incorporate modern design and functional superiority in every piece they manufacture.*