



Stainless Steel Sinks & Accessories

200071

Address : 5171 Steeles Ave West, Toronto M2N 3G7

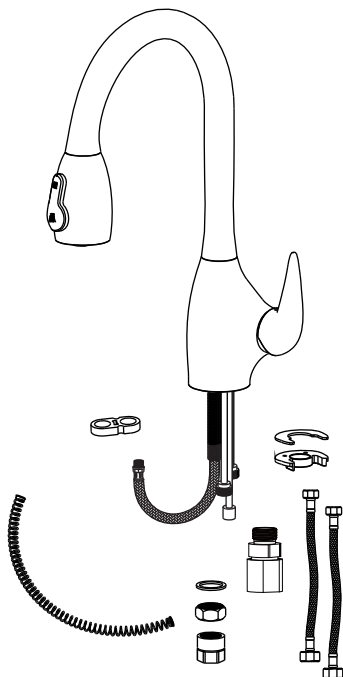
# Installation Instruction

## Single Handle Pull-down Kitchen Faucet



### Before Your Installation

Check to make sure you have the following parts indicated below:



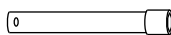
### Tools You Will Need



Adjustable wrench



Adjustable wrench



Spanner for body  
(supplied)



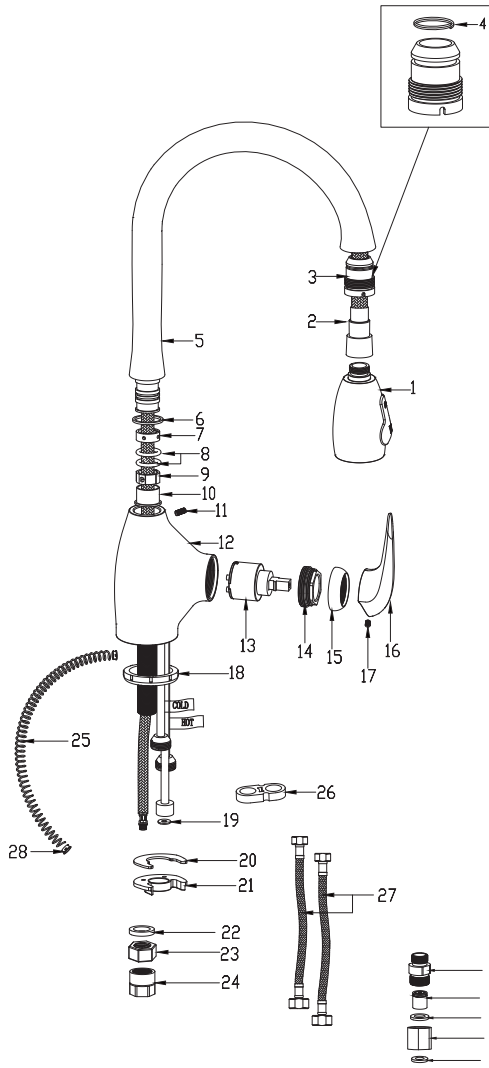
Aerator spanner  
(supplied)



Increase the high cushion

# Replacement Parts

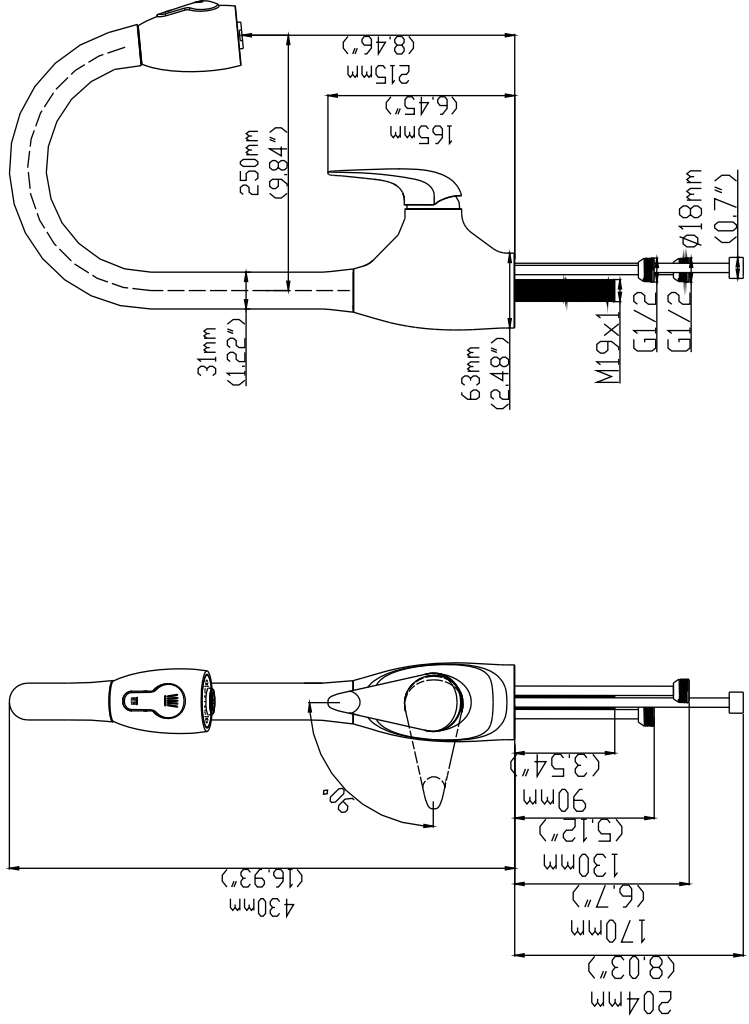
Keep this manual for ordering replacement parts.



## NO NAME

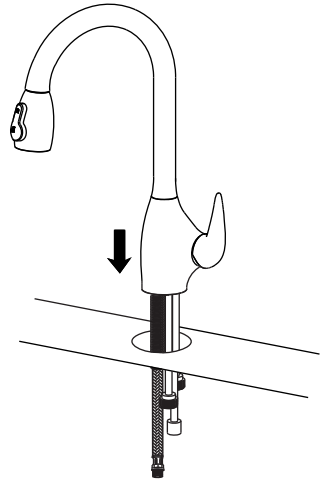
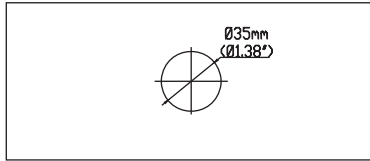
1. Sprayer
2. Black nylon hose
3. Locating sleeve
4. Steel ring
5. Spout
6. Anti-friction ring
7. Plastic retainer ring
8. O-ring
9. Plastic retainer ring
10. Noise silencer
11. Screw
12. Faucet body
13. Cartridge
14. Locking nut
15. Cartridge cover
16. Handle
17. Screw
18. Bottom rubber
19. Flat gasket
20. Locking rubber
21. Locking gasket
22. Locking gasket
23. Locking nut
24. Noise silencer
25. Spring
26. Plastic stop collar
27. Hose
28. Anti-friction sleeve
29. Sleeve nut
30. Check valve
31. Flat gasket
32. Sleeve
33. Flat gasket

# Product Dimension Drawing

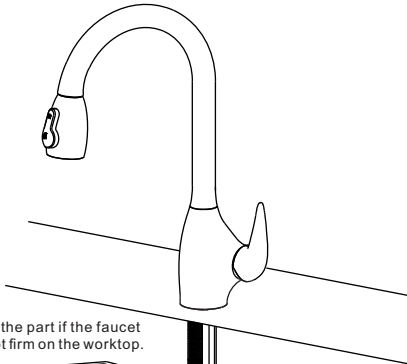


# Faucet Installation Procedures

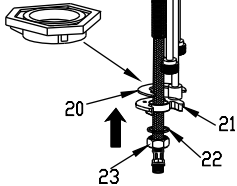
## Step ①



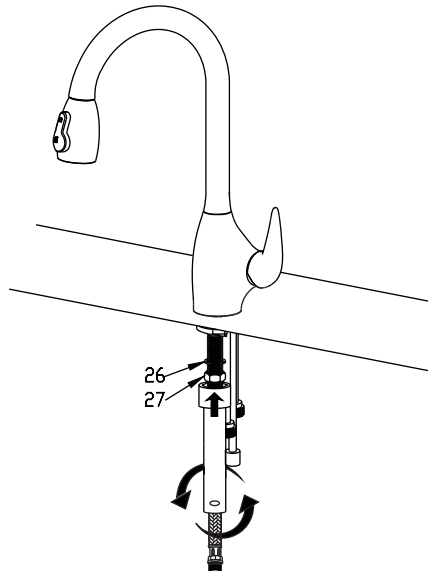
## Step ②



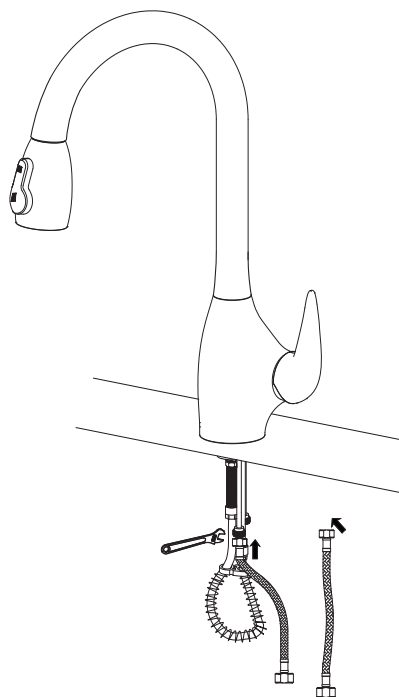
Add the part if the faucet is not firm on the worktop.



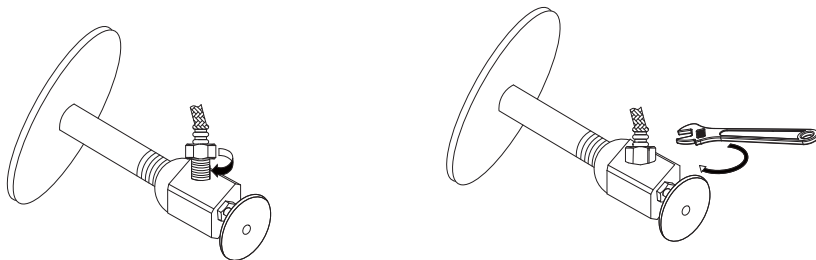
## Step ③



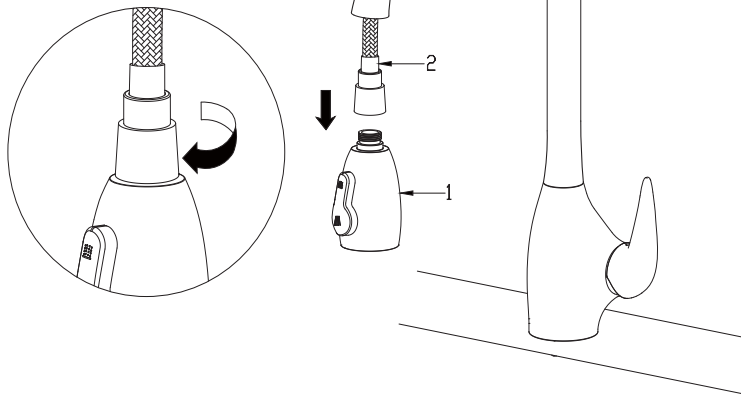
step ⑧



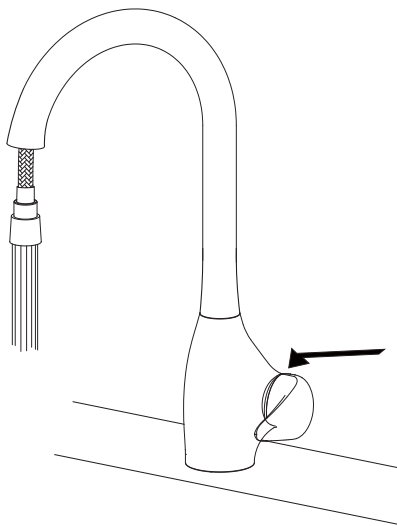
step ⑨



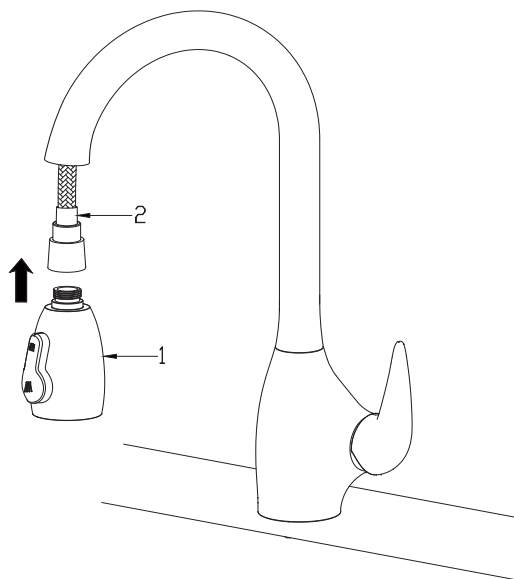
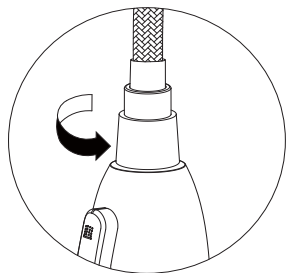
step 10



step 11



step 12



step 13

