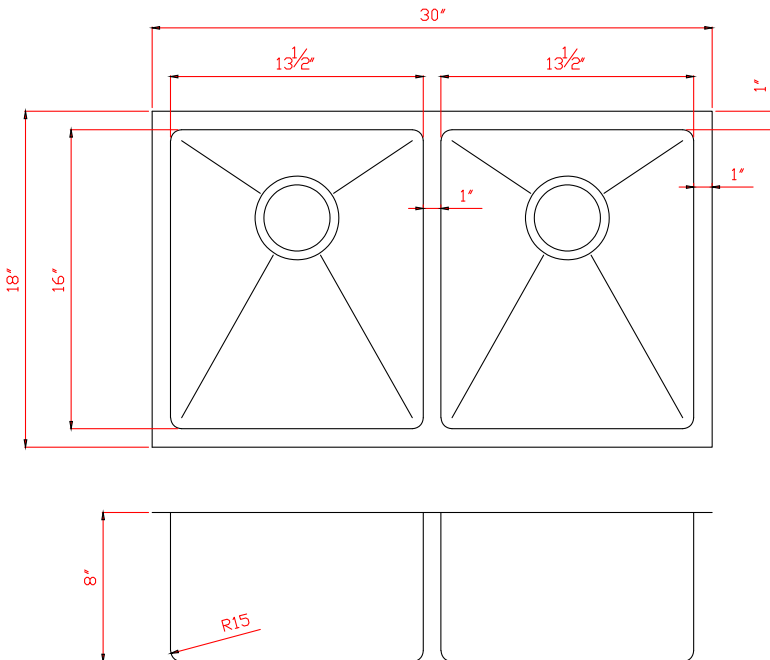
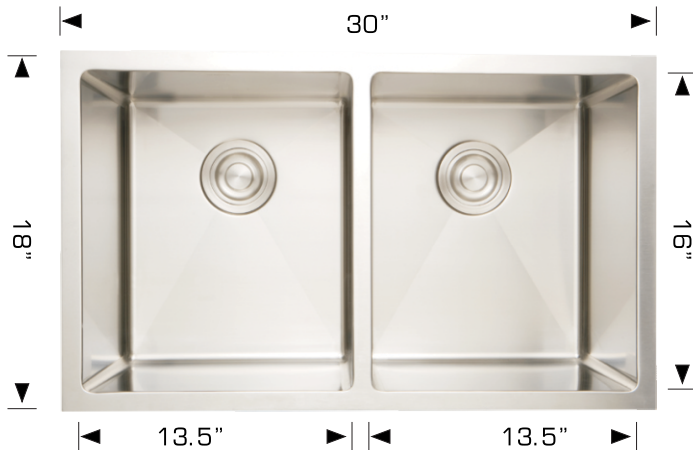


Standard Series - Model:208008 Plus

Radius Corners

Rear positioned drain holes to maximize usable bowl and cabinet storage space below



Specifications:

- Handcrafted
- 304 Stainless Steel
- 16 gauge
- Bowl corner radius of 15mm
- Undermount clips
- Template
- Stainless steel strainers
- 8" Deep

Outside: 30" x 18" x 8"

Inside: 28" x 16" x 8"

Bowl Size: 13.5" x 16" x 8"
13.5" x 16" x 8"

Minimum cabinet size 33"

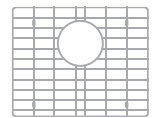
Certification/Warranty

- ASME A 112.19.3
- CSA B45.4
- Limited Lifetime Warranty

Accessories Included



Strainer
Model: 202010



Grid
Model: G208008



Plate Holder
Model: 202041



Basket
Model: 202040

Optional Accessories



Strainer
Model: 202012



Cutting Board
Model: 202020

Bosco Canada Inc. is known around the world for producing high quality kitchen sinks that incorporate modern design and functional superiority in every piece they manufacture.