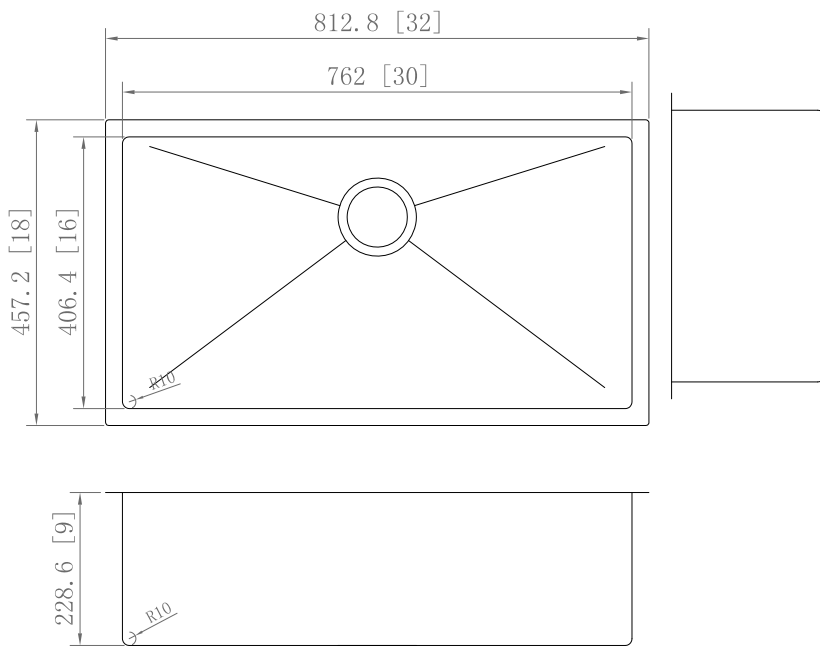


Standard Series - Model: 208003 Plus Undermount - Radius Corner R10

Rear positioned drain holes to maximize usable bowl and cabinet storage space below



Specifications:

- Handcrafted
- 304 stainless steel
- 18 gauge
- Bowl corner radius of 10mm
- Undermount clips
- Template
- Strainer
- Brushed Finish Bowl
- 9" Deep

Outside: 32" x 18" x 9"

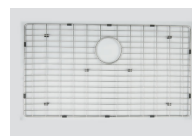
Inside: 30" x 16" x 9"

Minimum cabinet size 35"

Certification/Warranty

- ASME A 112.19.3
- CSA B45.4
- Limited Lifetime Warranty

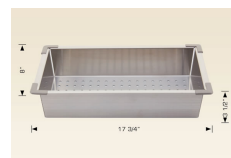
Included Accessories



Grid
Model: G208003



Strainer
Model: 202010



Colander
Model: 202040



Plate Holder
Model: 202041

Optional Accessories



Cutting Board
Model: 202020



Strainer
Model: 202012

Bosco Canada Inc. is known around the world for producing high quality kitchen sinks that incorporate modern design and functional superiority in every piece they manufacture.