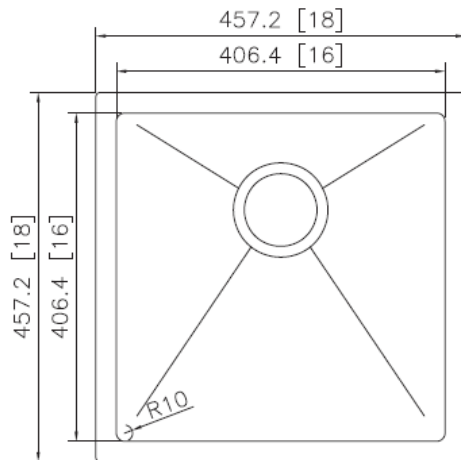


## Series - Model: 2033

11

### Radius Corner

Rear positioned drain holes to maximize usable bowl and cabinet storage space below



### Specifications:

- Handcrafted
- 304 Stainless Steel
- 18 Gauge
- 18/10 Chrome Nickel Content
- Undermount Clips
- Template
- Stainless Steel Strainers
- " Deep

Outside: 18" x 18" x 10"  
Inside: 16" x 16" x 10"

Minimum Cabinet Size 21"

### Certification/Warranty

- ASME A 112.19.3
- CSA B45.4
- Limited Lifetime Warranty

#### Optional Accessories

203311 Plus 316 SS 16 Gauge

Model: G203311  
Grid

Model: G202012  
Grid

#### Optional Accessories



Model: 202015  
Utensil Rack

Model: 202018  
Plate Holder

*Bosco Canada Inc. is known around the world for producing high quality kitchen sinks that incorporate modern design and functional superiority in every piece they manufacture.*