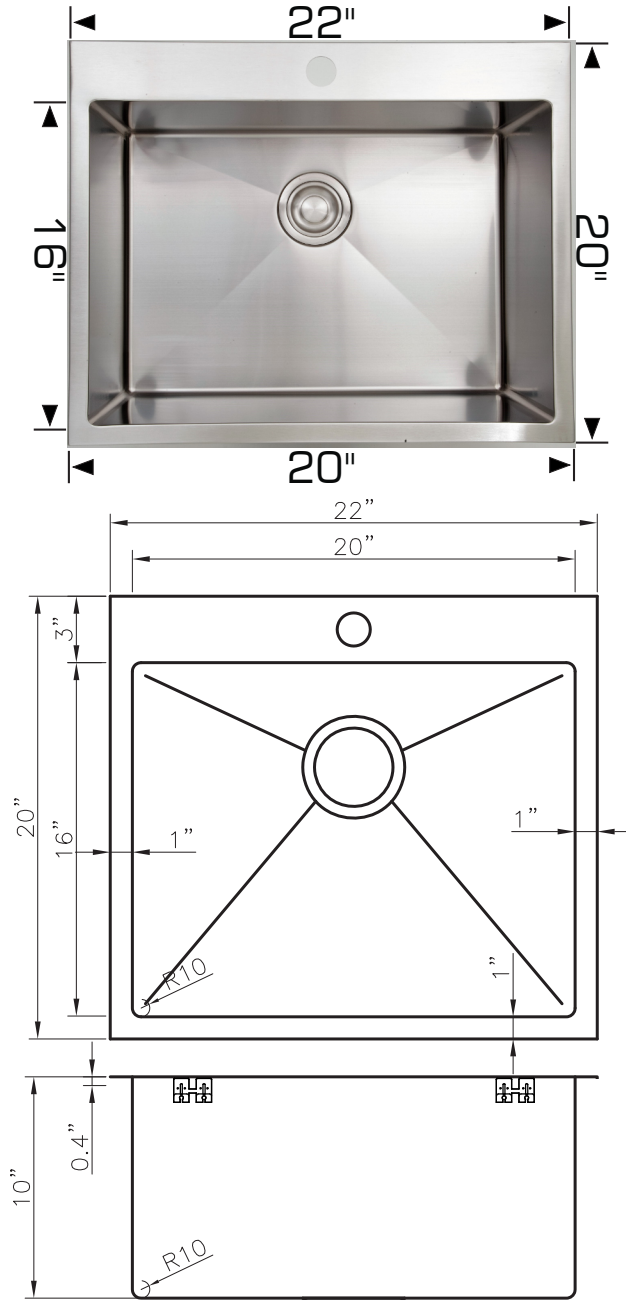


Deluxe Series - Model: T202233

Radius Corners

Rear positioned drain holes to maximize usable bowl and cabinet storage space below



Specifications:

- Handcrafted
- 304 Stainless Steel 18 Gauge
- 18/10 Nickel Content
- Bowl Corner Radius of 10mm
- Drop-In / Top Mount
- Template
- Stainless Steel Strainer
- 10" Deep

Outside: 22" x 20" x 10"
 Inside: 20" x 16" x 10"

Minimum Cabinet Size 24"

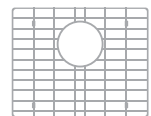
Certification/Warranty

- ASME A 112.19.3
- CSA B45.4
- Limited Lifetime Warranty

Optional Accessories



Roll Up Dish Drying Rack
Model: 202043



Grid
Model: GT202233



Utensil Basket
Model: 202015



Plate Rack
Model: G202018

Bosco Canada Inc. is known around the world for producing high quality kitchen sinks that incorporate modern design and functional superiority in every piece they manufacture.