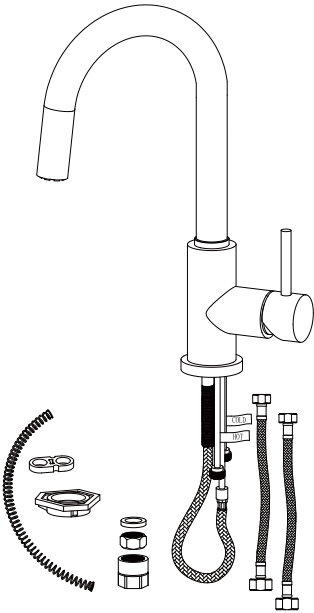


Installation Instruction

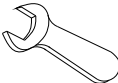
Single Handle Pull-down Kitchen Faucet

Before Your Installation

Check to make sure you have the following parts indicated below:



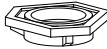
Tools You Will Need



Adjustable wrench



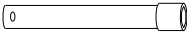
Adjustable wrench



Increase the high cushion



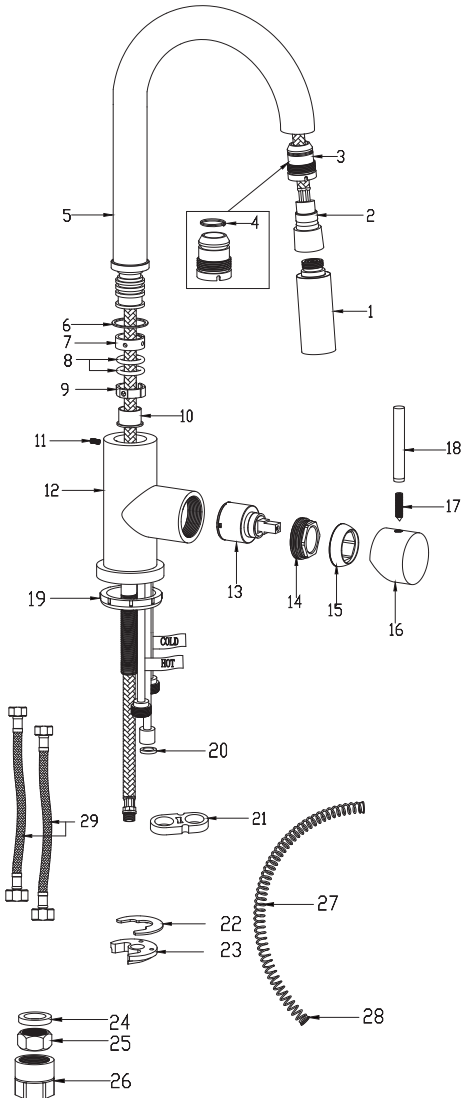
Spanner for aerator (supplied)



Spanner for body (supplied)

Replacement Parts

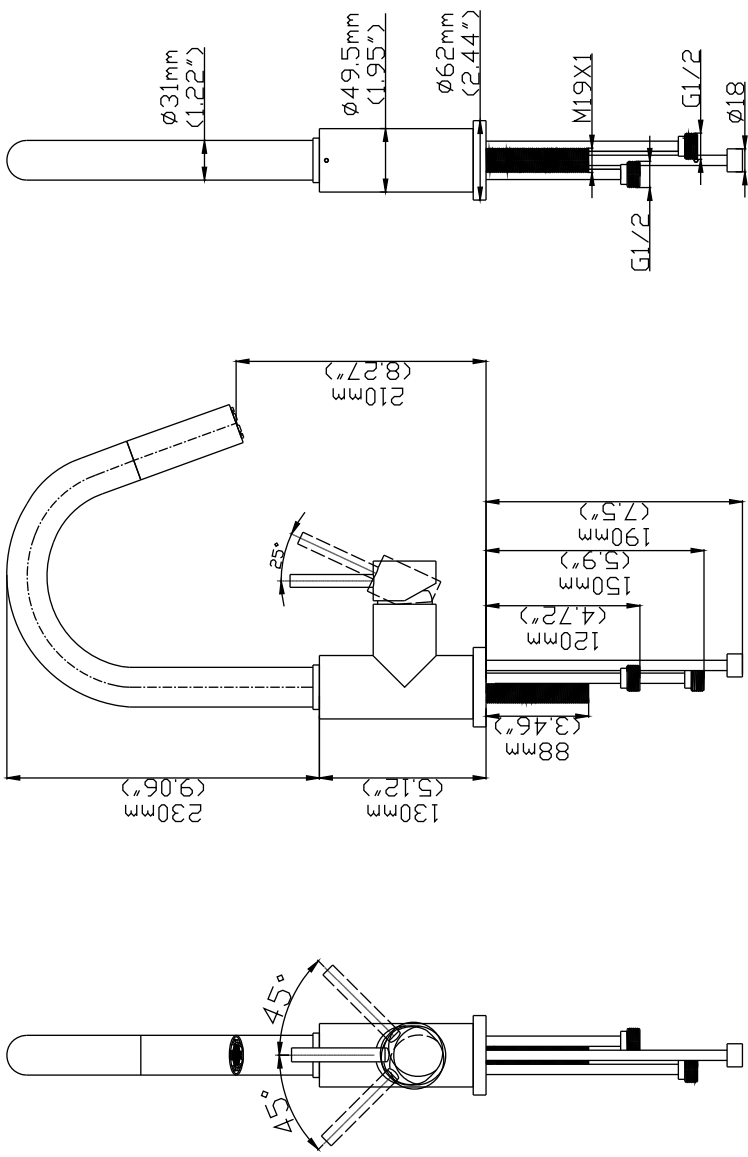
Keep this manual for ordering replacement parts.



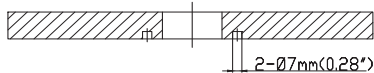
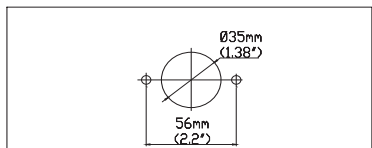
NO NAME

1. Nozzle
2. Black nylon hose
3. Locating sleeve
4. Steel ring
5. Spout
6. Anti-friction ring
7. Plastic retainer ring
8. O-ring
9. Plastic retainer ring
10. Noise silencer
11. Screw
12. Faucet body
13. Cartridge
14. Locking nut
15. Cartridge cover
16. Handle knob
17. Screw
18. Handle bar
19. Bottom rubber
20. Gasket
21. Plastic stop collar
22. Locking rubber
23. Locking gasket
24. Locking gasket
25. Locking nut
26. Sleeve
27. Spring
28. Anti-friction sleeve
29. Hose

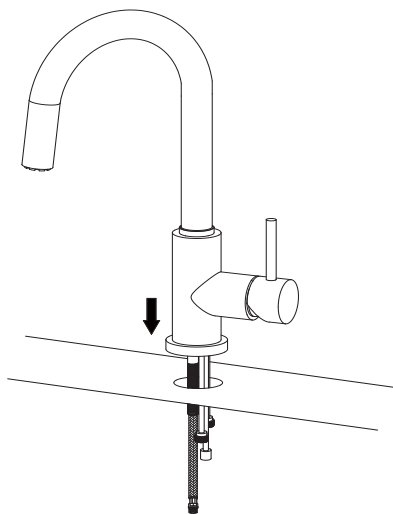
Product Dimension Drawing



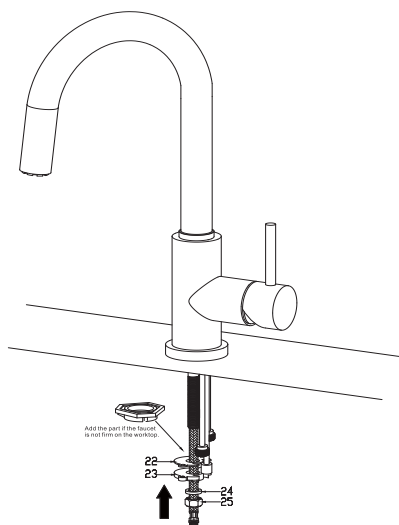
Faucet Installation Procedures



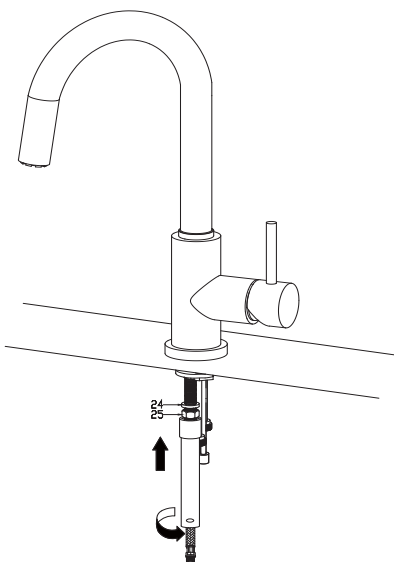
step ①



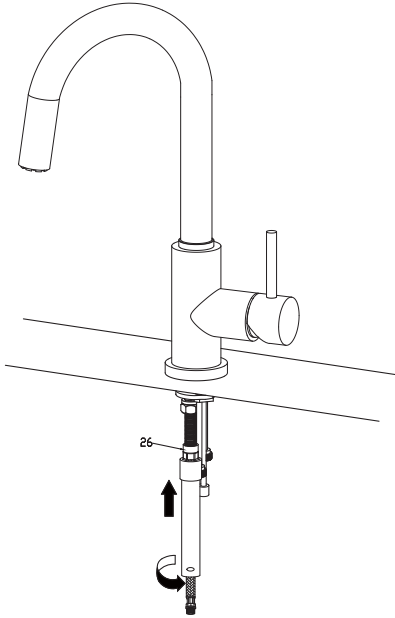
step ②



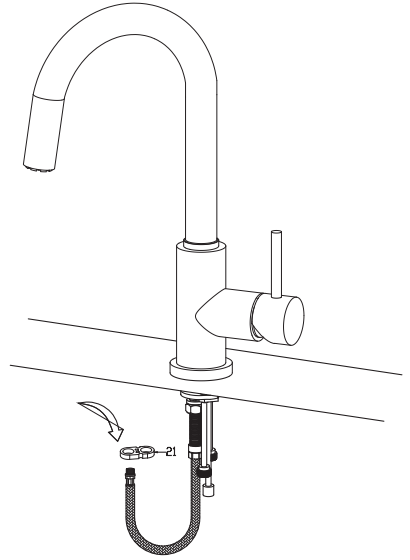
step ③



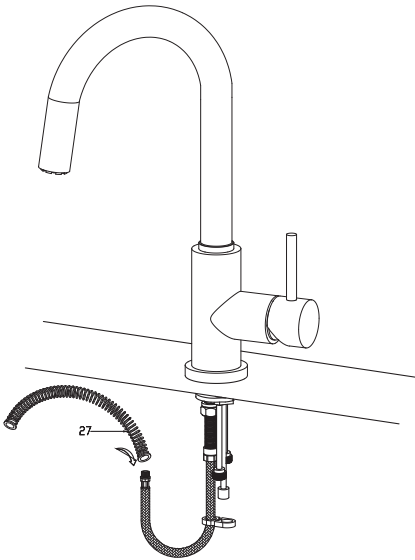
step ④



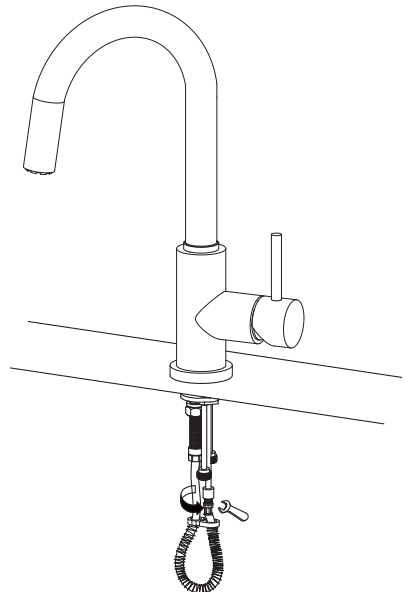
step ⑤



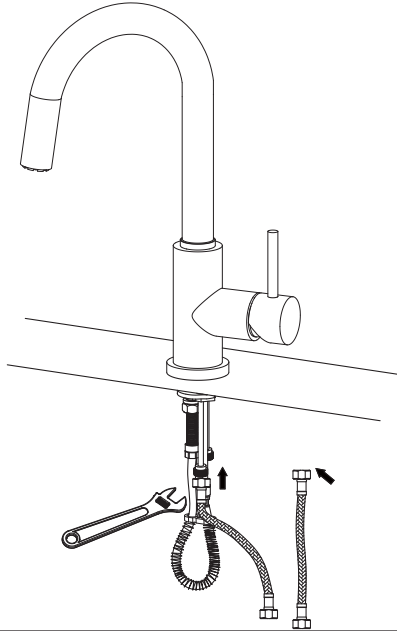
step ⑥



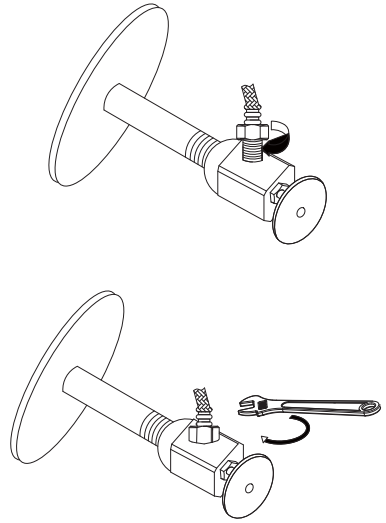
step ⑦



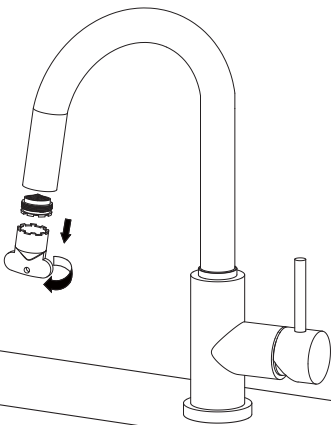
step 8



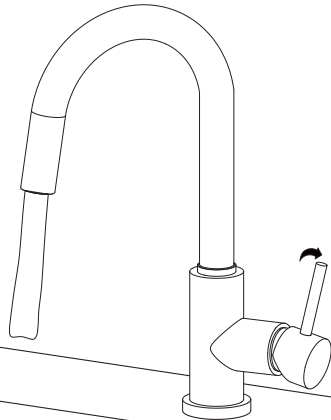
step 9



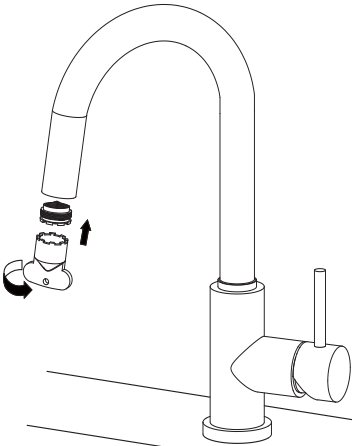
step 10



step 11



step 12



step 13

