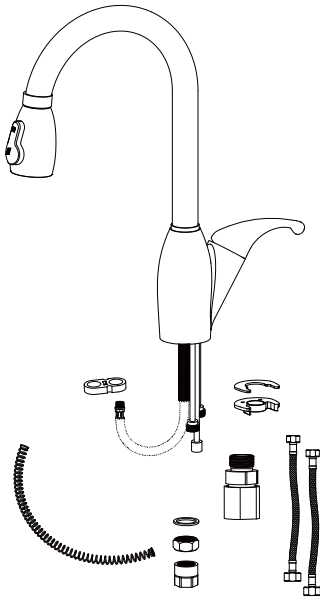


Installation Instruction

Single Handle Pull-down Kitchen Faucet

Before Your Installation

Check to make sure you have the following parts indicated below:



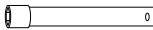
Tools You Will Need



Phillips screwdriver



Adjustable wrench



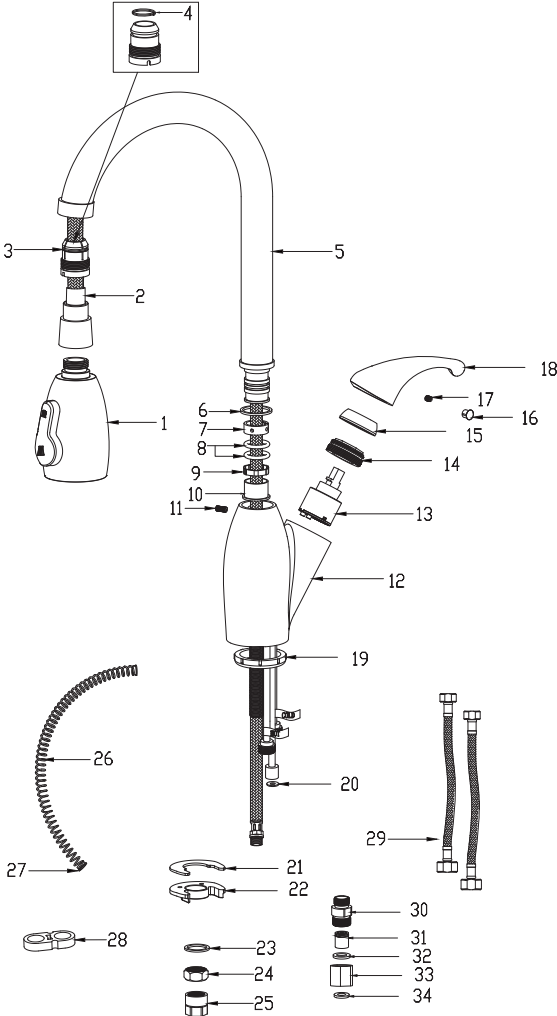
Spanner for body
(supplied)



Spanner for aerator
(supplied)

Replacement Parts

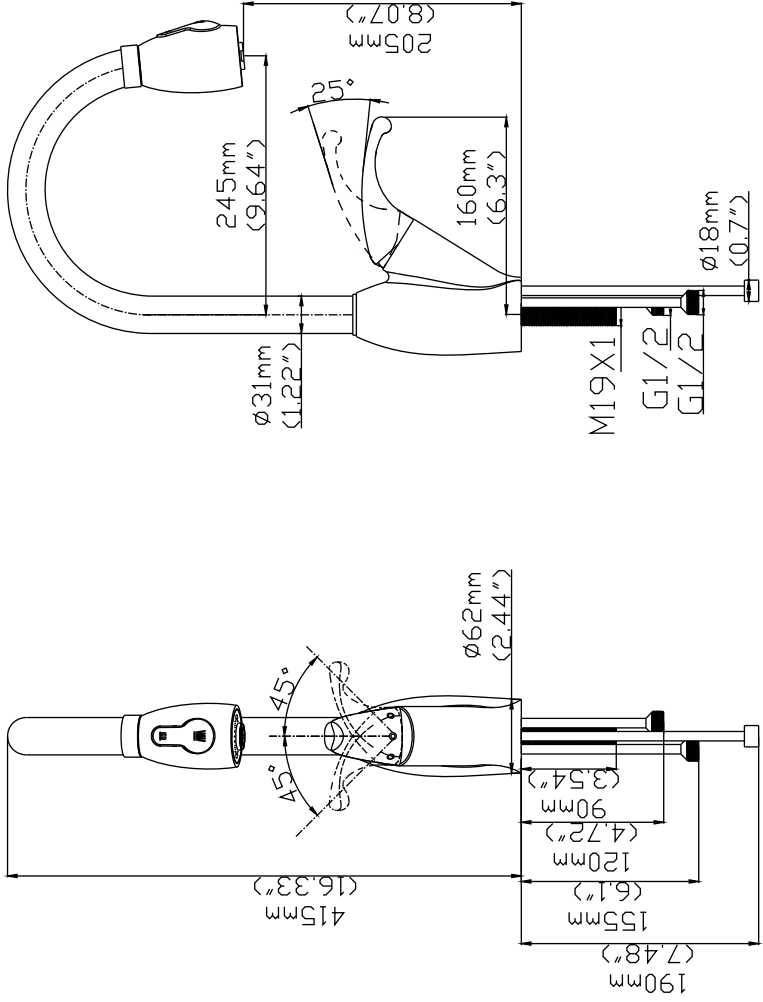
Keep this manual for ordering replacement parts.



NO NAME

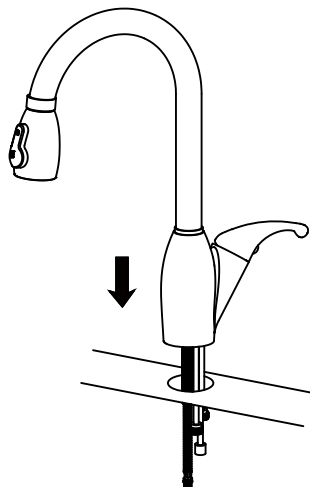
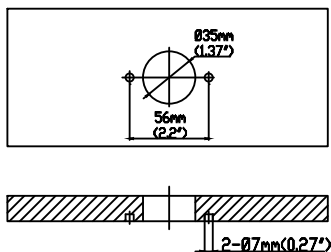
1. Pull-out sprayer
2. Black nylon hose
3. Plastic sleeve
4. Spring ring
5. Spout
6. White ring
7. Sleeve
8. O-ring
9. Sleeve
10. Sleeve
11. M4 screw
12. Faucet body
13. Cartridge
14. Fastening nut
15. Cartridge cover
16. Cover button
17. M6 screw
18. Handle
19. Bottom rubber
20. Flat gasket
21. Fastening rubber
22. Fastening gasket
23. Fastening ring
24. Fastening nut
25. M6 nut
26. Spring
27. Anti-friction sleeve
28. Plastic stop collar
29. hose
30. sleeve nut
31. check valve
32. Flat gasket
33. Nut
34. Flat gasket

Product Dimension Drawing

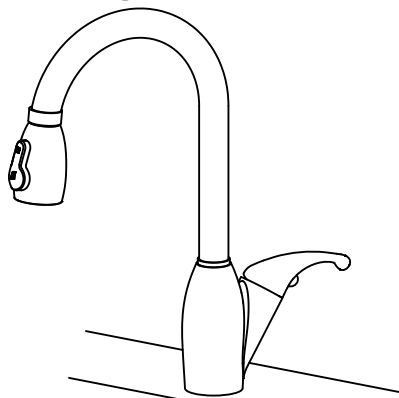


Faucet Installation Procedures

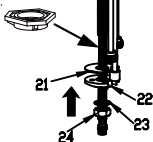
step ①



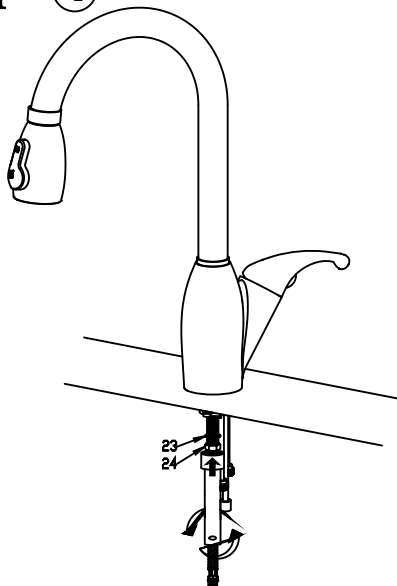
step ②



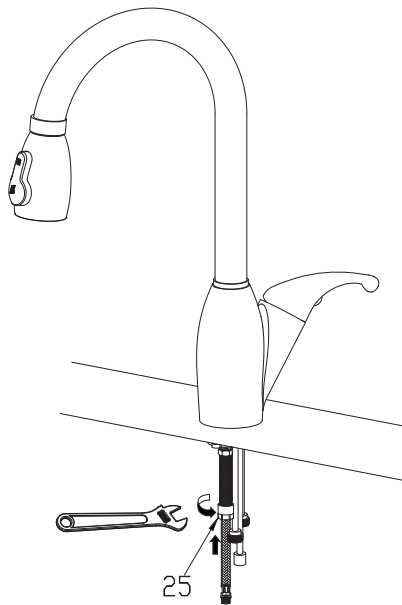
Add the part if the faucet is not firm on the worktop.



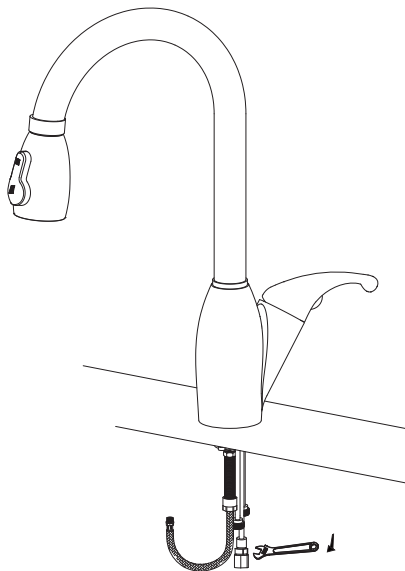
step ③



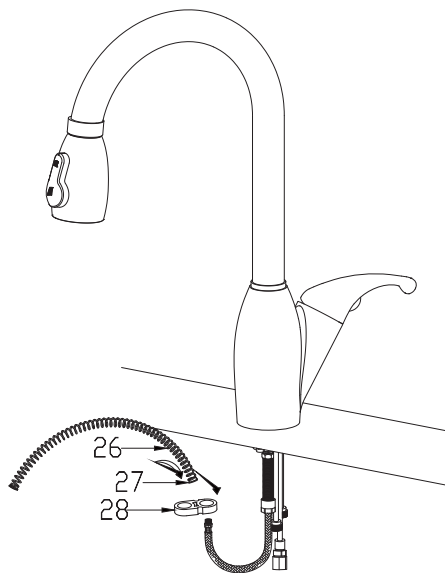
step ④



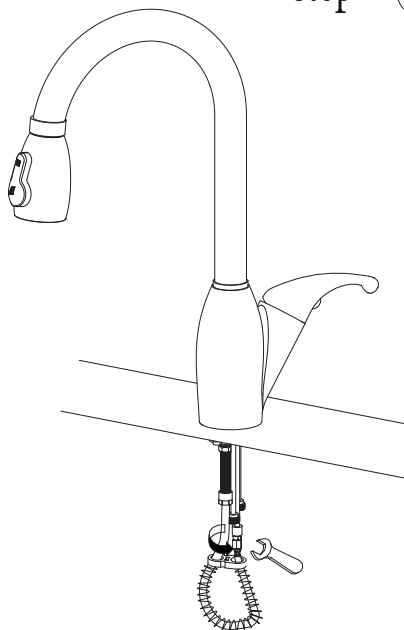
step ⑤



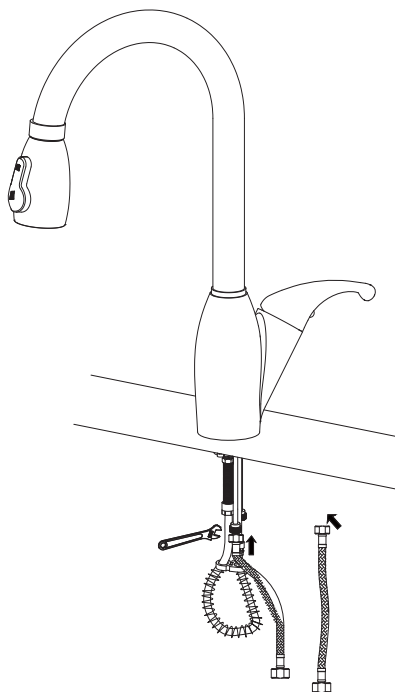
step ⑥



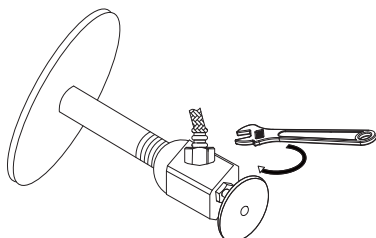
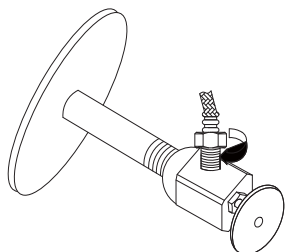
step ⑦



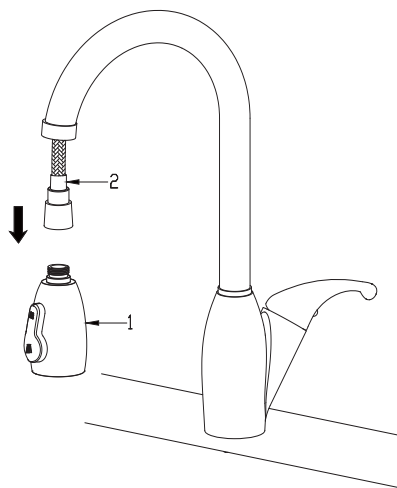
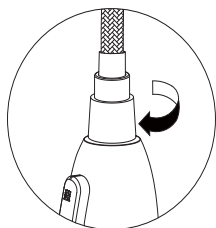
step ⑧



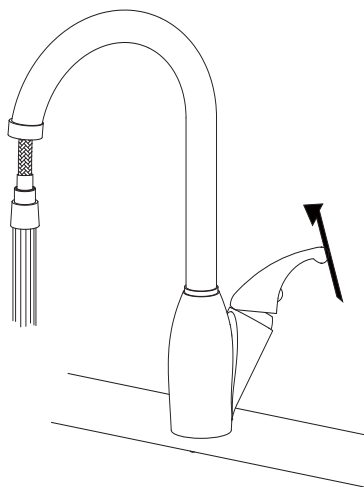
step ⑨



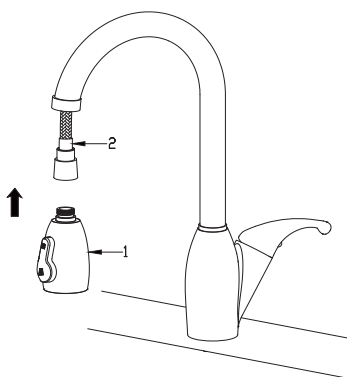
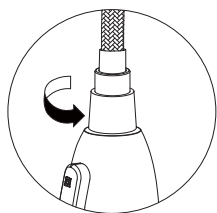
step 10



step 11



step 12



step 13

